



盐电阀门
YDF VALVES

Cat. YDF- 003- R11



YOUR PARTNER OF FLOW CONTROL SYSTEM

Trunnion Mounted Ball Valve

— 3pc Forged

WWW.YDFVALVE.COM

Certification

API 607



ISO 14001



API 16D



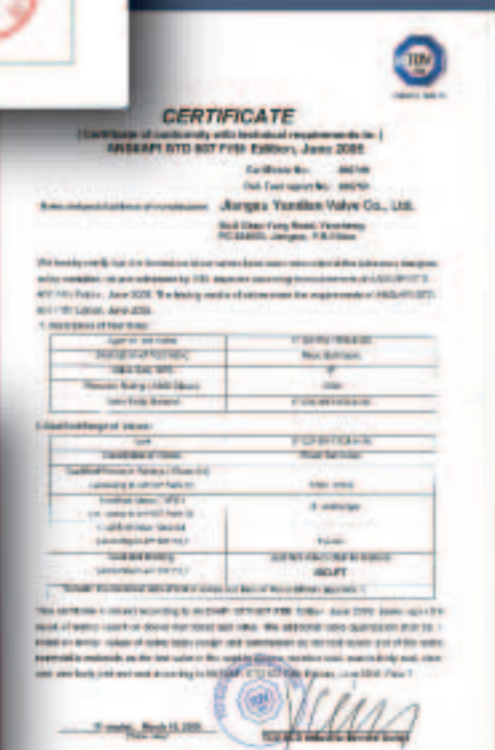
ISO 9001



OHSAS 18001



CE



API 6D



ABS



PED



Your Partner of Flow Control System

YDF VALVES was established in year 1978, as one of the leading valve manufacturers in China, YDF is specialized in the development of innovative design, through intensive R&D programs and a commitment to be a good partner of flow control system.

YDF's main product lines include Ball, Gate, Globe, Check, Butterfly and Power Station valves. These products have been widely used throughout the world in Oil, Gas, Chemical, Refining, Power Generation, Marine and Pipeline Transmission industrial application.

YDF's Facilities

YDF's head office is located in Shanghai, two valve factories are located in Yancheng Jiangsu Province, and one foundry is located in Binhai Jiangsu Province. All the facilities are linked by an internet system of over 200 computers, based on the ERP system connecting engineering to the Machining center, CNC, Bar-code warehouse system. In-house testing capacities include high pressure gas, cryogenic, high temperature, fugitive emission, live testing etc.

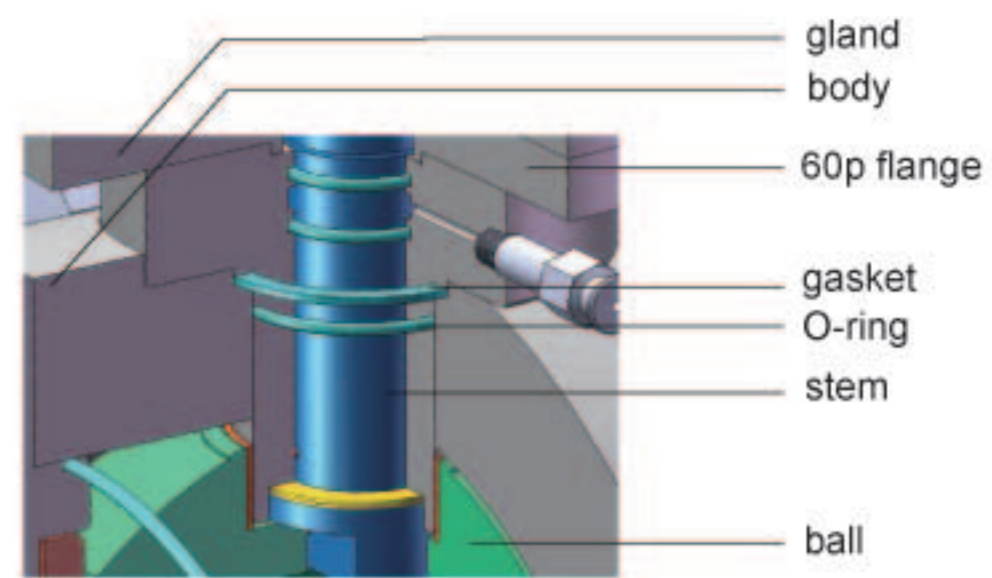
Quality Assurance

YDF's quality assurance is dedicated to supply zero defect valves to customers with reliable service life. YDF has been certified with ISO9001, ISO14001, OHSAS18001, CE/PED, API6A, API6D, ABS and API607/6FA fire safe approvals.



Blow-out Proof Stem

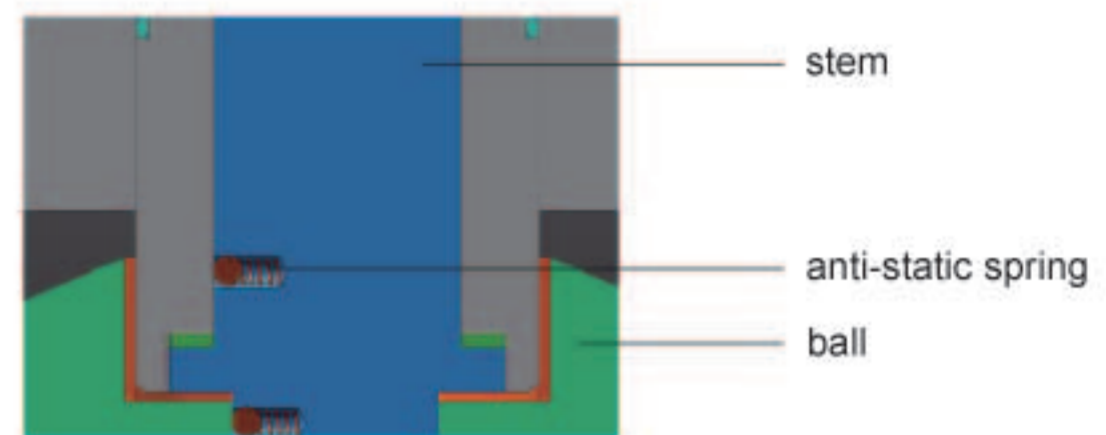
Stem is designed with collar, which will prevent stem from being blown out, when medium passes through the valve or the valve is disassembled to repair. (Fig.1)



(Fig.1)

Anti-static Device

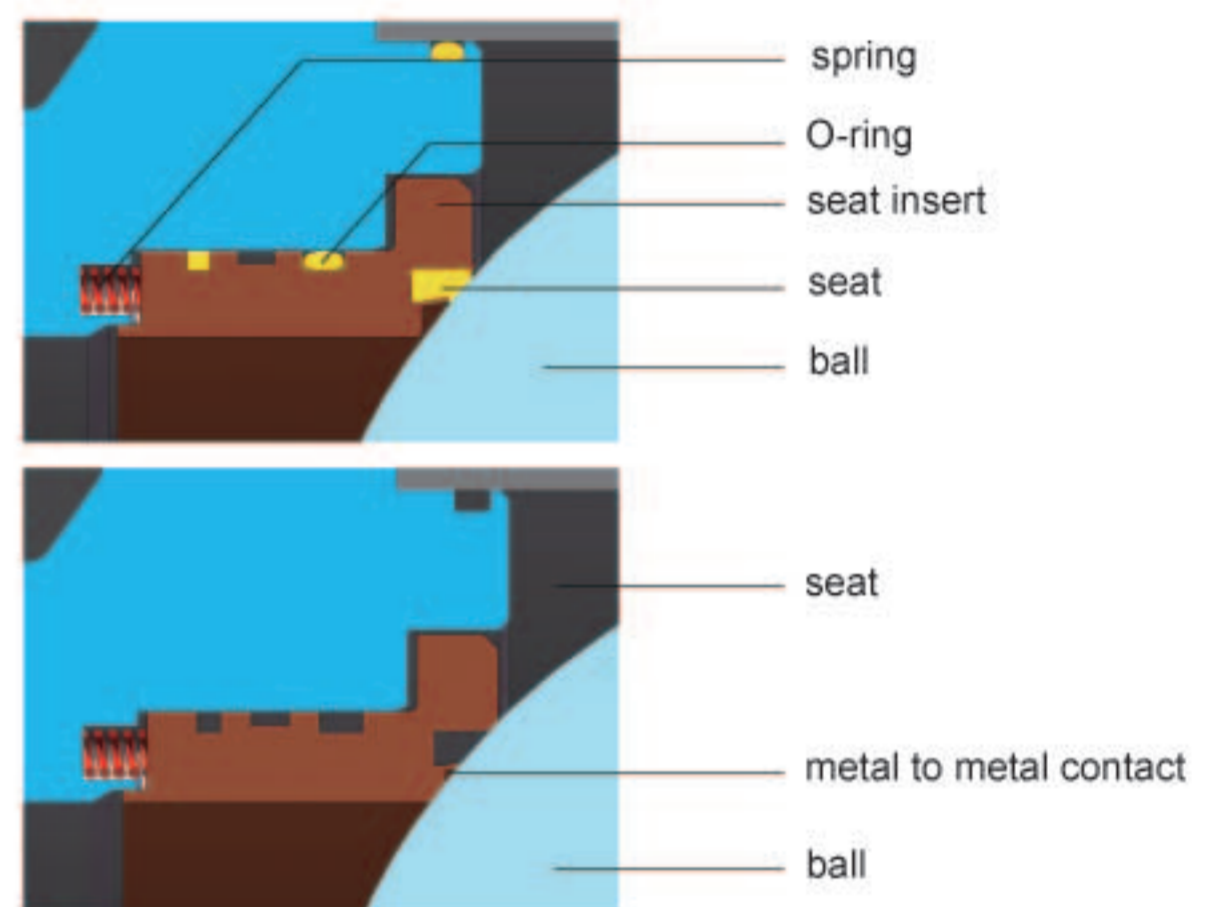
When open and close the valve, the friction between the ball and the non-metal seat will produce static charges. To avoid static sparkle, an antistatic device is designed on the valve to derive the accumulated static sparkle on the ball. (Fig.2)



(Fig.2)

Fire safe Design

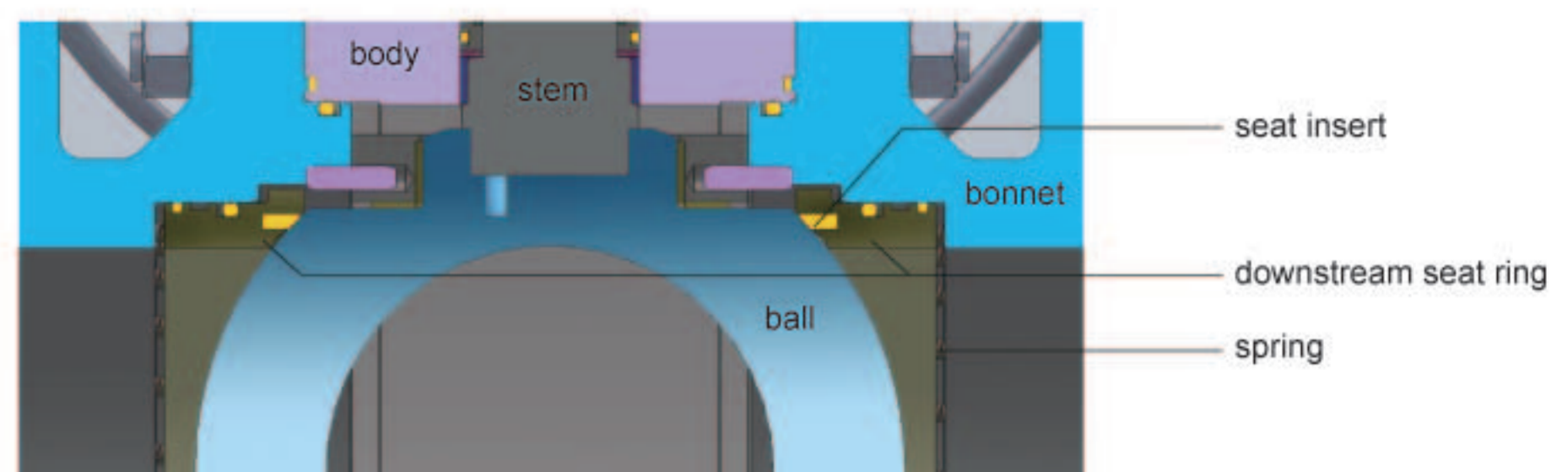
The seat, stem and body joint of ball valve are with fire safe design. When non-metal materials such as O-rings, soft seats etc. are decomposed or deteriorated by fire, ball valve can form metal to metal auxiliary seal structure, which will prevent/control effectively internal leakage or external leakage. (Fig.3)



(Fig.3)

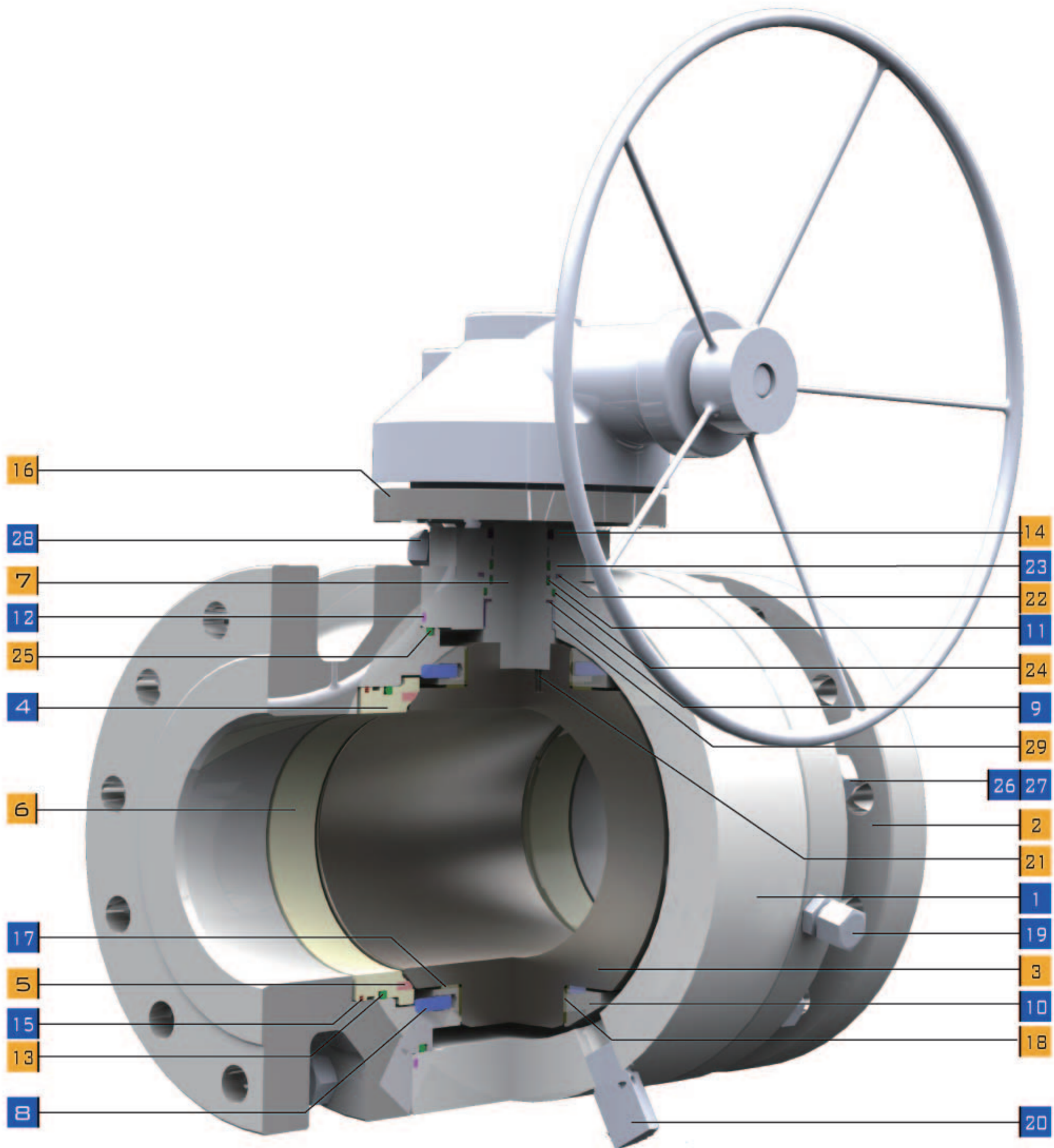
Double block and bleed

When the valve in close position, each seat shut off the process medium at the same time on the up/down stream of the valve, allowing double block operation; when the pressure is applied to both side of the ball, the valve



(Fig.4)

bore and the body cavity will be isolated from each other, the pressure inside the body cavity can be released through the drain or vent. Double block and bleed function makes it possible to flush the valve under pressure and verify that the seats are sealing properly. (Fig.4)



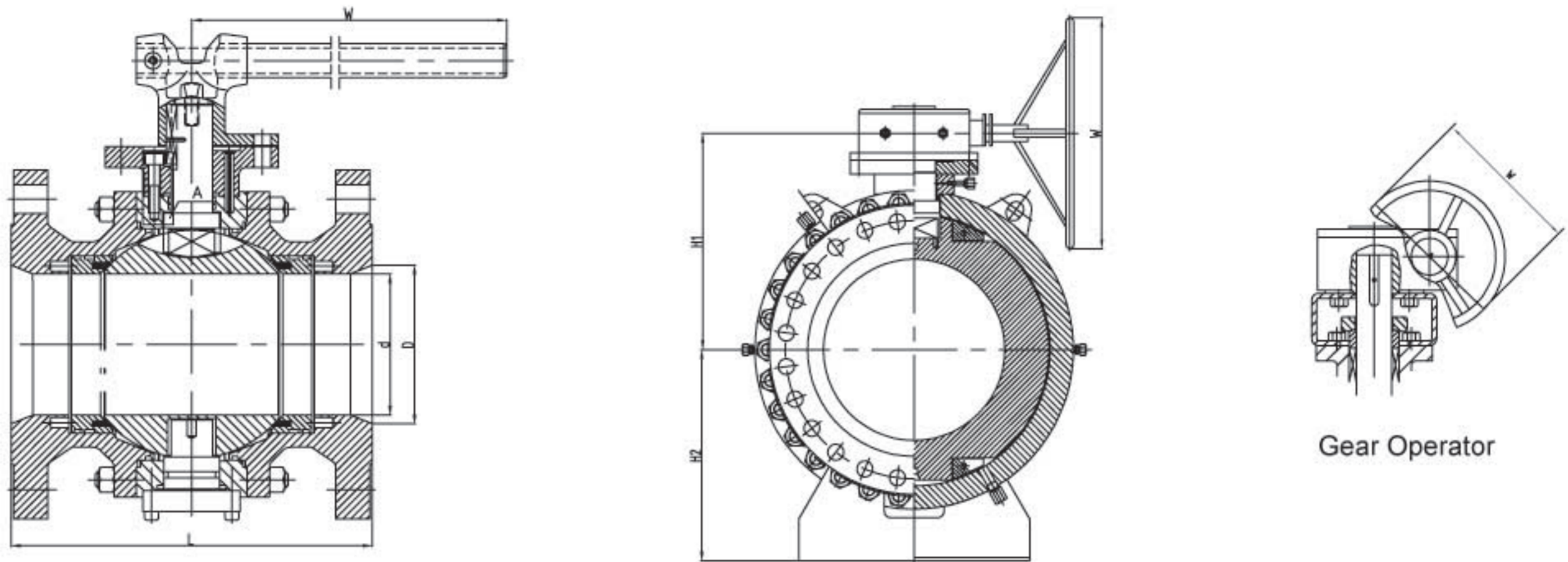


MATERIAL SPECIFICATIONS

No	Part	Standard	Stainless Steel	Sour Service	Low Temperature Service
1	Body	ASTM A105N	ASTM A182-F316	ASTM A105N	ASTM A350-LF2
2	Closure	ASTM A105N	ASTM A182-F316	ASTM A105N	ASTM A350-LF2
3	Ball	ASTM A105N/ENP	ASTM A182-F316	ASTM A105N/ENP	ASTM A350-LF2/ENP
4	Seat Assembly(5&6)	Assembled By No.5&6	Assembled By No.5&6	Assembled By No.5&6	Assembled By No.5&6
5	Seat Insert	RPTFE/NYLON/PEEK	RPTFE/NYLON/PEEK	RPTFE/NYLON/PEEK	RPTFE/NYLON/PEEK
6	Seat Ring	ASTM A105N/ENP	ASTM A182-F316	ASTM A105N/ENP	ASTM A350-LF2/ENP
7	Stem	ASTM A105N/ENP	ASTM A182-F316	ASTM A105N/ENP	ASTM A350-LF2/ENP
8	Trunnion Alignment Pin	ASTM A182-F316	ASTM A182-F316	ASTM A182-F316	ASTM A182-F316
9	Thrust Washer	PTFE	PTFE	PTFE	PTFE
10	Trunnion Support	ASTM A216-WCB/ENP	ASTM A351-CF8M	ASTM A216-WCB/ENP	ASTM A352-LCB/ENP
11	Gasket	316SS+Graphite	316SS+Graphite	316SS+Graphite	316SS+Graphite
12	Body Gasket	316SS+Graphite	316SS+Graphite	316SS+Graphite	316SS+Graphite
13	O-Ring	Viton	Viton	Viton	Viton
14	Weather Seal Ring	NBR/HNBR/VITON	NBR/HNBR/VITON	NBR/HNBR/VITON	NBR/HNBR/VITON
15	Fire safe Gasket	316SS+Graphite	316SS+Graphite	316SS+Graphite	316SS+Graphite
16	Top Flange	ASTM A105N	ASTM A182-F316	ASTM A105N	ASTM A350-LF2
17	Thrust Washer	316+PTFE+MoS2	316+PTFE+MoS2	316+PTFE+MoS2	316+PTFE+MoS2
18	Bearing	316+PTFE+MoS2	316+PTFE+MoS2	316+PTFE+MoS2	316+PTFE+MoS2
19	Vent Valve	Assembly	Assembly	Assembly	Assembly
20	Drain Valve	Stainless Steel	Stainless Steel	Stainless Steel	Stainless Steel
21	Anti-static Device	Stainless Steel	Stainless Steel	Stainless Steel	Stainless Steel
22	Gasket	316SS+Graphite	316SS+Graphite	316SS+Graphite	316SS+Graphite
23	O-Ring	NBR/HNBR/VITON	NBR/HNBR/VITON	NBR/HNBR/VITON	NBR/HNBR/VITON
24	O-Ring	NBR/HNBR/VITON	NBR/HNBR/VITON	NBR/HNBR/VITON	NBR/HNBR/VITON
25	O-Ring	NBR/HNBR/VITON	NBR/HNBR/VITON	NBR/HNBR/VITON	NBR/HNBR/VITON
26	Body Stud	ASTM A193-B7	ASTM A193-B8	ASTM A193-B7M	ASTM A320-L7M
27	Body Nut	ASTM A194-2H	ASTM A194-8	ASTM A194-2HM	ASTM A194-7M
28	Seat Injection	Stainless Steel	Stainless Steel	Stainless Steel	Stainless Steel
29	Bearing	316+PTFE+MoS2	316+PTFE+MoS2	316+PTFE+MoS2	316+PTFE+MoS2



3 PCS TRUNNION MOUNTED BALL VALVE



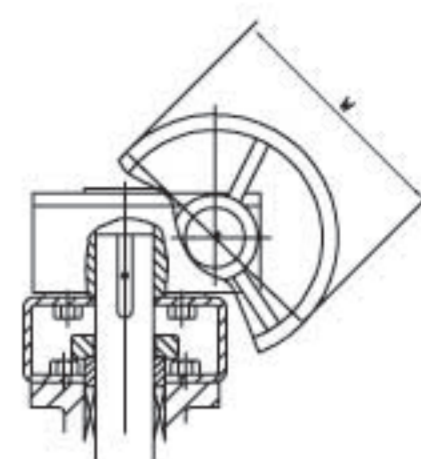
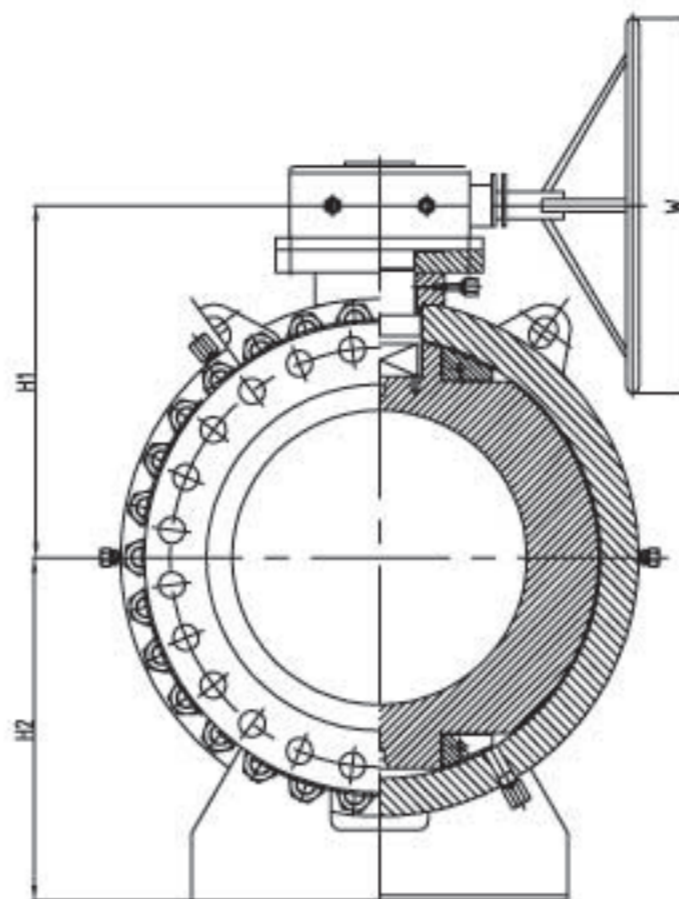
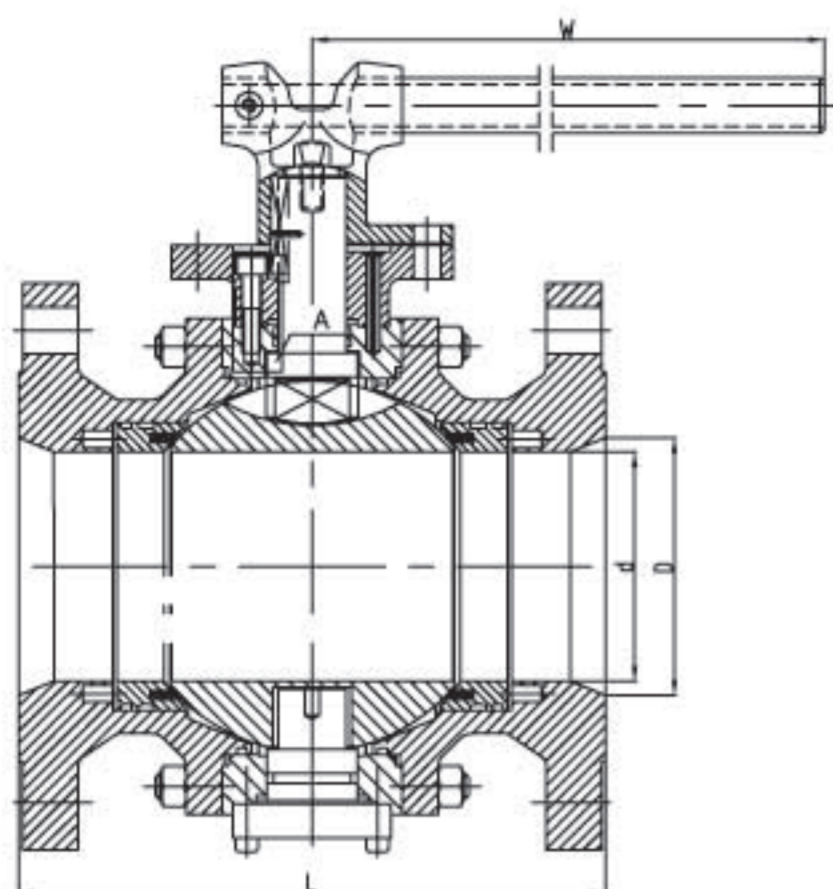
150 LB DIMENSIONS

Full Port													
Size		D		L		H1		H2		W		Weight	
in	mm	in	mm	in	mm	in	mm	in	mm	in	mm	lb	kg
2	50.00	2.01	51.00	7.01	178	7.87	200	4.33	110	10.43	265	46.3	21
3	80.00	2.99	76.00	7.99	203	11.81	300	4.96	126	11.22	285	70.6	32
4	100.00	4.02	102.00	9.02	229	12.40	315	6.50	165	11.22	285	110.2	50
6	150.00	5.98	152.00	15.51	394	13.19	335	6.50	165	11.81	*300	361.6	164
8	200.00	7.99	203.00	17.99	457	15.94	405	7.87	200	11.81	*300	760.6	345
10	250.00	10.00	254.00	21.02	534	16.81	427	8.66	220	11.81	*300	970.0	440
12	300.00	12.01	305.00	24.02	610	18.31	465	10.31	262	19.69	*500	1272.1	577
14	350.00	13.27	337.00	27.01	686	19.92	506	11.54	293	23.62	*600	1893.7	859
16	400.00	15.24	387.00	30.00	762	24.49	622	13.43	341	23.62	*600	2522.1	1144
18	450.00	17.24	438.00	34.02	864	26.22	666	16.22	412	23.62	*600	3174.6	1440
20	500.00	19.25	489.00	35.98	914	28.74	730	17.13	435	23.62	*600	4285.7	1944
22	550.00	21.26	540.00	39.02	991	32.80	833	18.90	480	23.62	*600	5185.2	2352
24	600.00	23.27	591.00	42.01	1067	35.24	895	20.39	518	31.50	*800	6179.5	2803
26	650.00	25.00	635.00	45.00	1143	35.43	900	21.06	535	31.50	*800	7054.7	3200
28	700.00	27.01	686.00	49.02	1245	36.81	935	21.34	542	31.50	*800	8924.2	4048
30	750.00	29.02	737.00	50.98	1295	39.76	1010	23.82	605	31.50	*800	13668.4	6200
32	800.00	30.75	781.00	54.02	1372	41.73	1060	25.59	650	31.50	*800	12103.2	5490
34	850.00	32.76	832.00	57.99	1473	42.40	1077	25.59	650	31.50	*800	14779.5	6704
36	900.00	34.49	876.00	60.00	1524	43.90	1115	27.56	700	31.50	*800	21164.0	9600
40	1000.00	38.50	978.00	67.99	1727	55.12	1400	34.06	865	31.50	*800	22643.3	10271
42	1050.00	40.24	1022.00	78.23	1987	62.91	1598	35.43	900	31.50	*800	26697.5	12110
48	1200.00	45.98	1168.00	83.46	2120	67.80	1722	41.02	1042	31.50	*800	40476.2	18360

Reduced Port															
Size		d		D		L		H1		H2		W		Weight	
in	mm	in	mm	in	mm	in	mm	in	mm	in	mm	in	mm	lb	kg
3*2	80*50	2.01	51	2.99	76	7.99	203	7.87	200	4.33	110	10.43	265	58.4	27
4*3	100*80	2.99	76	4.02	102	9.02	229	11.81	300	4.96	126	11.22	285	88.2	40
6*4	150*100	4.02	102	5.98	152	15.51	394	12.40	315	6.50	165	11.22	285	149.9	68
8*6	200*150	5.98	152	7.99	203	17.99	457	13.19	335	6.69	170	11.81	*300	390.2	177
10*8	250*200	7.99	203	10.00	254	21.02	534	15.94	405	7.87	200	11.81	*300	676.8	307
12*10	300*250	10.00	254	12.01	305	24.02	610	16.81	427	8.66	220	11.81	*300	1122.1	509
14*12	350*300	12.01	305	13.27	337	27.01	686	18.31	465	10.31	262	19.69	*500	1591.7	722
16*14	400*350	13.27	337	15.24	387	30.00	762	19.92	506	11.54	293	23.62	*600	2138.5	970
18*16	450*400	15.24	387	17.24	438	34.02	864	24.49	622	13.43	341	23.62	*600	2846.1	1291
20*18	500*450	17.24	438	19.25	489	35.98	914	26.22	666	15.43	392	23.62	*600	3681.7	1670
22*18	550*450	17.24	438	21.26	540	39.02	991	26.22	666	15.43	392	23.62	*600	5165.3	2343
24*20	600*500	19.25	489	23.27	591	42.01	1067	28.74	730	17.13	435	23.62	*600	4241.6	1924
26*22	650*550	21.26	540	25.00	635	45.00	1143	32.80	833	18.90	480	23.62	*600	4883.2	2215
28*24	700*600	23.27	591	27.01	686	49.02	1245	35.24	895	20.39	518	31.50	*800	5952.4	2700
30*24	750*600	23.27	591	29.02	737	50.98	1295	35.24	895	20.39	518	31.50	*800	6433.0	2918
32*26	800*650	25.00	635	30.75	781	54.02	1372	35.43	900	21.06	535	31.50	*800	8829.4	4005
34*28	850*700	27.01	686	32.76	832	57.99	1473	36.81	935	21.34	542	31.50	*800	9799.4	4445
36*30	900*750	29.02	737	34.49	876	60.00	1524	39.76	1010	23.82	605	31.50	*800	11011.9	4995
40*34	1000*850	32.76	832	38.50	978	67.99	1727	42.40	1077	25.59	650	31.50	*800	18077.6	8200
42*36	1050*900	34.49	876	40.24	1022	78.23	1987	43.90	1115	27.56	700	31.50	*800	23966.1	10871
48*40	1200*1000	38.50	978	45.98	1168	83.46	2120	55.12	1400	34.06	865	31.50	*800	29806.0	13520

* Gear Operator

3 PCS TRUNNION MOUNTED BALL VALVE



Gear Operator

300 LB DIMENSIONS

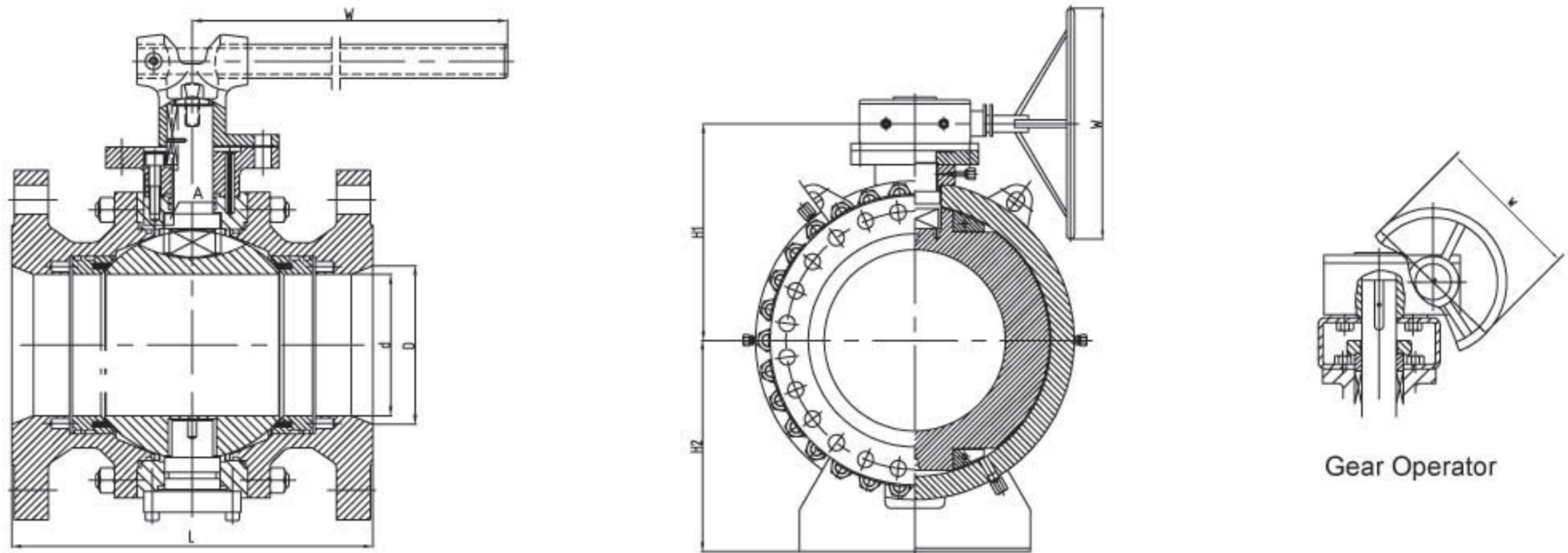
Full Port													
Size		D		L		H1		H2		W		Weight	
in	mm	in	mm	in	mm	in	mm	in	mm	in	mm	lb	kg
2	50	2.01	51	8.50	216	8.11	206	4.45	113	10.43	265	55.1	25
3	80	2.99	76	11.14	283	12.40	315	5.08	129	15.75	400	101.4	46
4	100	4.02	102	12.01	305	12.99	330	6.65	169	29.53	750	169.8	77
6	150	5.98	152	15.87	403	13.58	345	5.83	148	11.81	*300	377.0	171
8	200	7.99	203	19.76	502	16.34	415	7.28	185	11.81	*300	709.9	322
10	250	10.00	254	22.36	568	16.81	427	8.90	226	15.75	*400	1190.5	540
12	300	12.01	305	25.51	648	18.31	465	10.59	269	19.69	*500	1682.1	763
14	350	13.27	337	30.00	762	20.43	519	11.81	300	23.62	*600	2149.5	975
16	400	15.24	387	32.99	838	25.12	638	13.78	350	23.62	*600	3086.4	1400
18	450	17.24	438	35.98	914	26.89	683	15.83	402	23.62	*600	3780.9	1715
20	500	19.25	489	39.02	991	29.45	748	17.56	446	23.62	*600	5465.2	2479
22	550	21.26	540	42.99	1092	33.62	854	19.37	492	23.62	*600	4894.2	2220
24	600	23.27	591	45.00	1143	36.10	917	20.91	531	31.5	*800	6371.3	2890
28	700	27.01	686	52.99	1346	37.72	958	21.89	556	31.5	*800	10086.0	4575
30	750	29.02	737	55.00	1397	40.75	1035	24.41	620	31.5	*800	12323.6	5590
32	800	30.75	781	60.00	1524	42.80	1087	26.22	666	31.5	*800	13756.6	6240
34	850	32.76	832	64.02	1626	43.46	1104	26.22	666	31.5	*800	16247.8	7370
36	900	34.49	876	67.99	1727	45.00	1143	28.27	718	31.5	*800	18595.7	8435
40	1000	38.50	978	75.98	1930	56.50	1435	34.92	887	31.5	*800	24691.4	11200
42	1050	40.24	1022	80.00	2032	64.49	1638	36.34	923	31.5	*800	28769.8	13050
48	1200	45.98	1168	85.43	2170	69.49	1765	42.05	1068	31.5	*800	41887.1	19000

Reduced Port															
Size		d		D		L		H1		H2		W		Weight	
in	mm	in	mm	in	mm	in	mm	in	mm	in	mm	in	mm	lb	kg
3*2	80*50	2.01	51	2.99	76	11.14	283	8.11	206	4.45	113	10.43	265	79.4	36
4*3	100*80	2.99	76	4.02	102	12.01	305	12.40	315	5.08	129	15.75	400	121.3	55
6*4	150*100	4.02	102	5.98	152	15.87	403	12.99	330	6.65	169	29.53	750	246.9	112
8*6	200*150	5.98	152	7.99	203	19.76	502	13.58	345	5.83	148	11.81	*300	489.4	222
10*8	250*200	7.99	203	10.00	254	22.36	568	16.34	415	7.28	185	11.81	*300	839.4	381
12*10	300*250	10.00	254	12.01	305	25.51	648	16.81	427	8.90	226	19.69	*500	1278.7	580
14*12	350*300	12.01	305	13.27	337	30.00	762	18.31	465	10.59	269	23.62	*600	2028.2	920
16*14	400*350	13.27	337	15.24	387	32.99	838	20.43	519	11.81	300	23.62	*600	2314.8	1050
18*16	450*400	15.24	387	17.24	438	35.98	914	25.12	638	13.78	350	23.62	*600	3373.0	1530
20*18	500*450	17.24	438	19.25	489	39.02	991	26.89	683	15.83	402	23.62	*600	4034.4	1830
22*18	550*450	17.24	438	21.26	540	42.99	1092	26.89	683	15.83	402	23.62	*600	4431.2	2010
24*20	600*500	19.25	489	23.27	591	45.00	1143	29.45	748	17.56	446	23.62	*600	4894.2	2220
28*24	700*600	23.27	591	27.01	686	52.99	1346	36.10	917	20.91	531	31.5	*800	7054.7	3200
30*24	750*600	23.27	591	29.02	737	55.00	1397	36.10	917	20.91	531	31.5	*800	8708.1	3950
34*28	850*700	27.01	686	32.76	832	64.02	1626	37.72	958	21.89	556	31.5	*800	10681.2	4845
36*30	900*750	29.02	737	34.49	876	67.99	1727	40.75	1035	24.41	620	31.5	*800	13448.0	6100
40*34	1000*850	32.76	832	38.50	978	75.98	1930	43.46	1104	26.22	666	31.5	*800	18077.6	8200
42*36	1050*900	34.49	876	40.24	1022	80.00	2032	45.00	1143	28.27	718	31.5	*800	20282.2	9200
48*40	1200*1000	38.50	978	45.98	1168	85.43	2170	56.50	1435	34.92	887	31.5	*800	33068.8	15000

* Gear Operator



3 PCS TRUNNION MOUNTED BALL VALVE



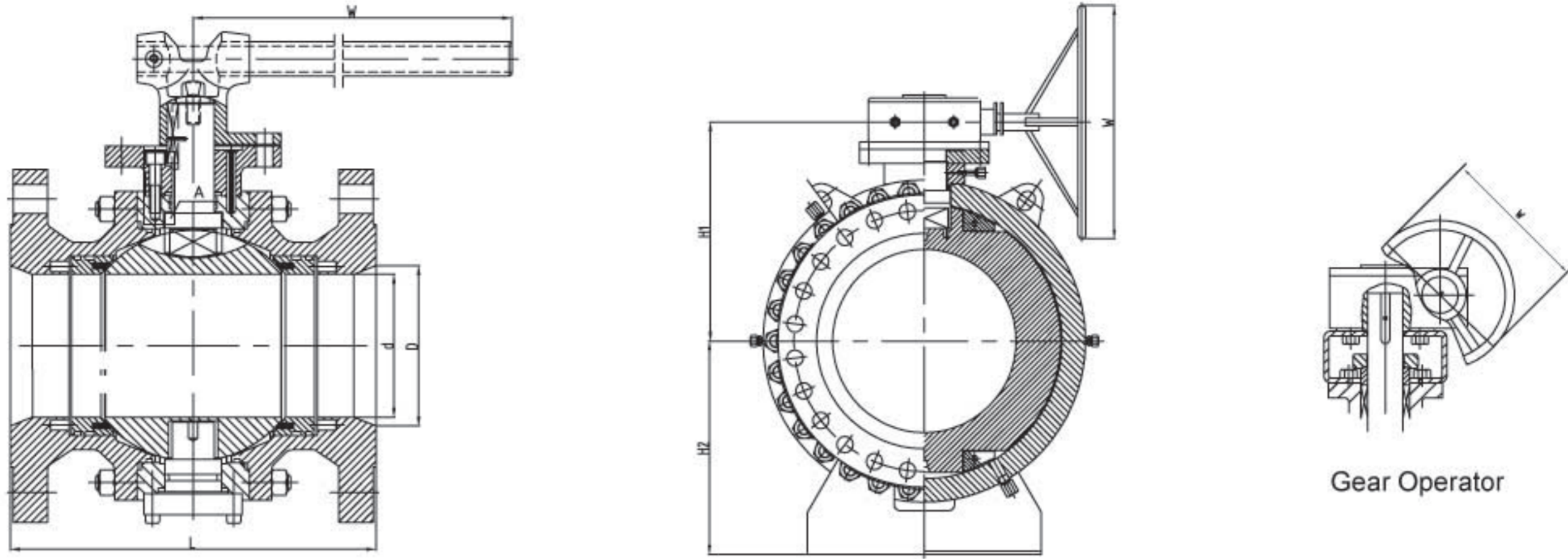
600 LB DIMENSIONS

Full Port													
Size		D		L		H1		H2		W		Weight	
in	mm	in	mm	in	mm	in	mm	in	mm	in	mm	lb	kg
2	50	2.01	51	11.50	292	8.11	206	4.45	113	15.75	400	72.8	33
3	80	2.99	76	14.02	356	12.40	315	5.08	129	29.53	750	141.1	64
4	100	4.02	102	17.01	432	12.99	330	6.65	169	39.37	1000	257.9	117
6	150	5.98	152	22.01	559	13.58	345	5.83	148	11.81	*300	628.3	285
8	200	7.99	203	25.98	660	16.34	415	7.28	185	11.81	*300	996.5	452
10	250	10.00	254	30.98	787	16.81	427	8.90	226	19.69	*500	1622.6	736
12	300	12.01	305	32.99	838	18.31	465	10.59	269	23.62	*600	2204.6	1000
14	350	13.27	337	35.00	889	20.43	519	11.81	300	23.62	*600	2929.9	1329
16	400	15.24	387	39.02	991	25.12	638	13.78	350	23.62	*600	3813.9	1730
18	450	17.24	438	42.99	1092	26.89	683	15.83	402	23.62	*600	5037.5	2285
20	500	19.25	489	47.01	1194	29.45	748	17.56	446	23.62	*600	6203.7	2814
22	550	21.26	540	50.98	1295	33.62	854	19.37	492	31.5	*800	7429.5	3370
24	600	23.27	591	55.00	1397	36.10	917	20.91	531	31.5	*800	10846.6	4920
28	700	27.01	686	60.98	1549	37.72	958	21.89	556	31.5	*800	13359.8	6060
30	750	29.02	737	65.00	1651	40.75	1035	24.41	620	31.5	*800	14748.7	6690
32	800	30.75	781	70.00	1778	42.80	1087	26.22	666	31.5	*800	17250.9	7825
34	850	32.76	832	75.98	1930	43.46	1104	26.22	666	31.5	*800	18650.8	8460
36	900	34.49	876	82.01	2083	45.00	1143	28.27	718	31.5	*800	23478.8	10650
40	1000	38.50	978	85.00	2159	56.50	1435	34.92	887	31.5	*800	32407.4	14700
42	1050	40.24	1022	85.63	2175	64.49	1638	36.34	923	31.5	*800	36177.2	16410
48	1200	45.98	1168	95.87	2435	69.49	1765	42.05	1068	31.5	*800	53351.0	24200

Reduced Port															
Size		d		D		L		H1		H2		W		Weight	
in	mm	in	mm	in	mm	in	mm	in	mm	in	mm	in	mm	lb	kg
3*2	80*50	2.01	51	2.99	76	14.02	356	8.11	206	4.45	113	15.75	400	103.7	47
4*3	100*80	2.99	76	4.02	102	17.01	432	12.40	315	5.08	129	29.53	750	189.6	86
6*4	150*100	4.02	102	5.98	152	22.01	559	12.99	330	6.65	169	39.37	1000	357.1	162
8*6	200*150	5.98	152	7.99	203	25.98	660	13.58	345	5.83	148	11.81	*300	670.2	304
10*8	250*200	7.99	203	10.00	254	30.98	787	16.34	415	7.28	185	11.81	*300	1181.7	536
12*10	300*250	10.00	254	12.01	305	32.99	838	16.81	427	8.90	226	19.69	*500	1838.6	834
14*12	350*300	12.01	305	13.27	337	35.00	889	18.31	465	10.59	269	23.62	*600	2403.0	1090
16*14	400*350	13.27	337	15.24	387	39.02	991	20.43	519	11.81	300	23.62	*600	2888.0	1310
18*16	450*400	15.24	387	17.24	438	42.99	1092	25.12	638	13.78	350	23.62	*600	4135.8	1876
20*18	500*450	17.24	438	19.25	489	47.01	1194	26.89	683	15.83	402	23.62	*600	5564.4	2524
22*18	550*450	17.24	438	21.26	540	50.98	1295	26.89	683	15.83	402	23.62	*600	5357.1	2430
24*20	600*500	19.25	489	23.27	591	55.00	1397	29.45	748	17.56	446	23.62	*600	7583.8	3440
28*24	700*600	23.27	591	27.01	686	60.98	1549	36.10	917	20.91	531	31.50	*800	9369.5	4250
30*24	750*600	23.27	591	29.02	737	65.00	1651	36.10	917	20.91	531	31.50	*800	10427.7	4730
34*28	850*700	27.01	686	32.76	832	75.98	1930	37.72	958	21.89	556	31.50	*800	15873.0	7200
36*30	900*750	29.02	737	34.49	876	82.01	2083	40.75	1035	24.41	620	31.50	*800	18959.4	8600
40*34	1000*850	32.76	832	38.50	978	85.00	2159	43.46	1104	26.22	666	31.50	*800	22089.9	10020
42*36	1050*900	34.49	876	40.24	1022	85.63	2175	45.00	1143	28.27	718	31.50	*800	24470.9	11100
48*40	1200*1000	38.50	978	45.98	1168	95.87	2435	56.50	1435	34.92	887	31.50	*800	37918.9	17200

* Gear Operator

3 PCS TRUNNION MOUNTED BALL VALVE



900 LB DIMENSIONS

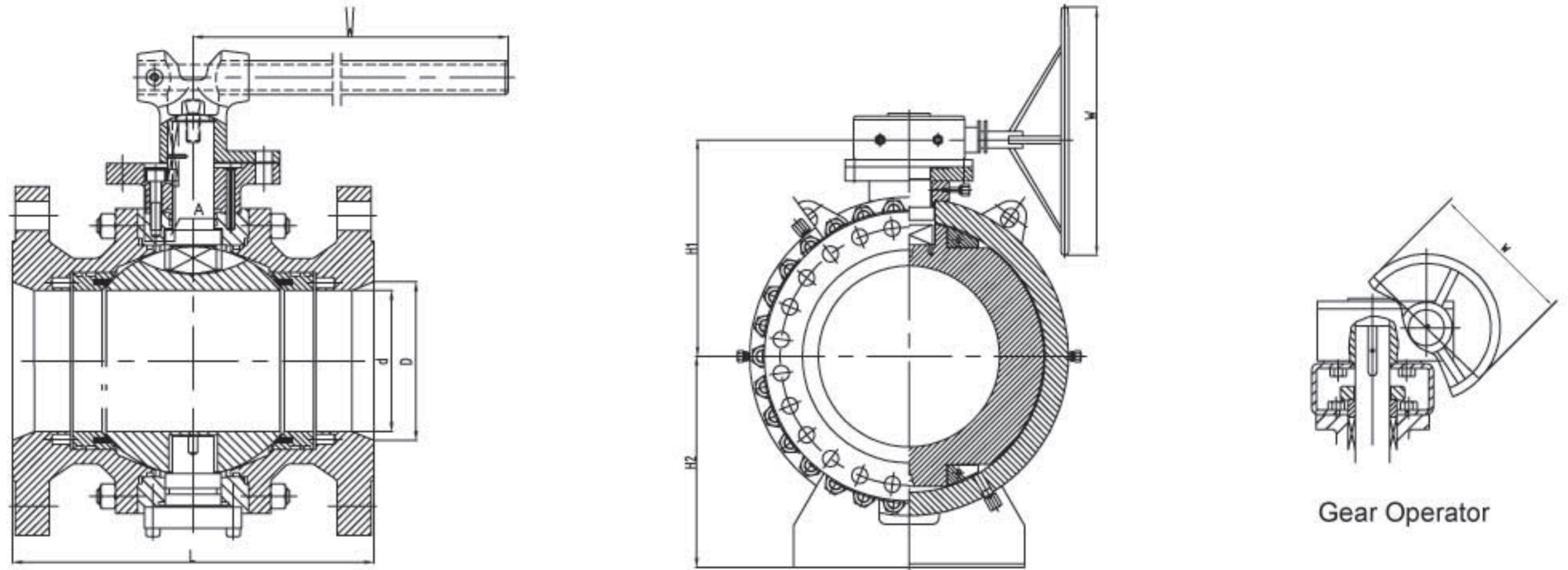
Full Port													
Size		D		L		H1		H2		W		Weight	
in	mm	in	mm	in	mm	in	mm	in	mm	in	mm	lb	kg
2	50	2.01	51	14.49	368	4.69	119	4.69	119	18.11	460	143.3	65
3	80	2.99	76	15.00	381	5.24	133	5.24	133	39.37	1000	202.8	92
4	100	4.02	102	17.99	457	6.93	176	6.93	176	59.06	1500	339.5	154
6	150	5.98	152	24.02	610	6.02	153	6.02	153	11.81	*300	864.2	392
8	200	7.99	203	29.02	737	7.60	193	7.60	193	15.75	*400	1351.4	613
10	250	10.00	254	32.99	838	9.25	235	9.25	235	19.69	*500	1807.8	820
12	300	12.01	305	37.99	965	11.02	280	11.02	280	23.62	*600	2480.2	1125
14	350	12.76	324	40.51	1029	12.28	312	12.28	312	23.62	*600	3549.4	1610
16	400	14.76	375	44.49	1130	14.37	365	14.37	365	23.62	*600	4431.2	2010
18	450	16.73	425	47.99	1219	16.30	414	16.30	414	23.62	*600	6194.9	2810
20	500	18.62	473	52.01	1321	18.07	459	18.07	459	23.62	*600	8730.2	3960
22	550	20.63	524	55.98	1422	19.96	507	19.96	507	31.5	*800	9722.2	4410
24	600	22.52	572	60.98	1549	21.54	547	21.54	547	31.5	*800	17901.2	8120
28	700	26.26	667	69.02	1753	22.56	573	22.56	573	31.5	*800	22491.2	10202
30	750	28.11	714	74.02	1880	25.12	638	25.12	638	31.5	*800	25617.3	11620
32	800	30.00	762	80.00	2032	27.01	686	27.01	686	31.5	*800	26679.9	12102
34	850	31.89	810	85.00	2159	27.09	688	27.09	688	31.5	*800	38496.5	17462
36	900	33.74	857	90.00	2286	29.09	739	29.09	739	31.5	*800	44431.2	20154

Reduced Port															
Size		d		D		L		H1		H2		W		Weight	
in	mm	in	mm	in	mm	in	mm	in	mm	in	mm	in	mm	lb	kg
3*2	80*50	2.01	51	2.99	76	15.00	381	8.54	217	4.69	119	18.11	460	156.5	71
4*3	100*80	2.99	76	4.02	102	17.99	457	12.87	327	5.24	133	39.37	1000	244.7	111
6*4	150*100	4.02	102	5.98	152	24.02	610	13.5	343	6.93	176	59.06	1500	471.8	214
8*6	200*150	5.98	152	7.99	203	29.02	737	14.09	358	6.02	153	11.81	*300	1058.2	480
10*8	250*200	7.99	203	10.00	254	32.99	838	16.97	431	7.60	193	15.75	*400	1433.0	650
12*10	300*250	10.00	254	12.01	305	37.99	965	17.44	443	9.25	235	19.69	*500	1913.6	868
14*12	350*300	12.01	305	12.76	324	40.51	1029	19.06	484	11.02	280	23.62	*600	2888.0	1310
16*14	400*350	12.76	324	14.76	375	44.49	1130	21.26	540	12.28	312	23.62	*600	4034.4	1830
18*16	450*400	14.76	375	16.73	425	47.99	1219	25.98	660	14.37	365	23.62	*600	4861.1	2205
20*18	500*450	16.73	425	18.62	473	52.01	1321	27.56	700	16.30	414	23.62	*600	6922.4	3140
22*18	550*450	16.73	425	20.63	524	55.98	1422	27.56	700	16.30	414	23.62	*600	7248.7	3288
24*20	600*500	18.62	473	22.52	572	60.98	1549	30.31	770	18.07	459	23.62	*600	10582.0	4800
28*24	700*600	22.52	572	26.26	667	69.02	1753	37.2	945	21.54	547	31.50	*800	16710.8	7580
30*24	750*600	22.52	572	28.11	714	74.02	1880	37.2	945	21.54	547	31.50	*800	17594.8	7981
34*28	850*700	26.26	667	31.89	810	85.00	2159	38.86	987	22.56	573	31.50	*800	24695.8	11202
36*30	900*750	28.11	714	33.74	857	90.00	2286	41.97	1066	25.12	638	31.50	*800	34508.4	15653

* Gear Operator



3 PCS TRUNNION MOUNTED BALL VALVE



1500 LB DIMENSIONS

Full Port													
Size		D		L		H1		H2		W		Weight	
in	mm	in	mm	in	mm	in	mm	in	mm	in	mm	lb	kg
4	100	4.02	102	21.50	546	6.54	166	6.54	166	11.81	*300	571.0	259
6	150	5.75	146	27.76	705	7.56	192	7.56	192	15.75	*400	1047.2	475
8	200	7.64	194	32.76	832	9.37	238	9.37	238	19.69	*500	1810.0	821
10	250	9.41	239	39.02	991	10.79	274	10.79	274	23.62	*600	4025.6	1826
12	300	11.38	289	44.49	1130	12.52	318	12.52	318	23.62	*600	4784.0	2170
14	350	12.52	318	49.49	1257	19.02	483	19.02	483	23.62	*600	4960.3	2250
16	400	14.25	362	54.49	1384	21.02	534	21.02	534	23.62	*600	6084.7	2760
18	450	16.02	407	60.51	1537	23.86	606	23.86	606	23.62	*600	8037.9	3646
20	500	17.99	457	65.51	1664	27.01	686	27.01	686	31.5	*800	9914.0	4497
22	550	19.69	500	71.50	1816	28.78	731	28.78	731	31.5	*800	12634.5	5731
24	600	21.5	546	80.43	2043	30.51	775	30.51	775	31.5	*800	15765.0	7151

Reduced Port															
Size		d		D		L		H1		H2		W		Weight	
in	mm	in	mm	in	mm	in	mm	in	mm	in	mm	in	mm	lb	kg
6*4	150*100	4.02	102	5.75	146	27.76	705	13.58	345	6.54	166	59.06	1500	760.6	345
8*6	200*150	5.75	146	7.64	194	32.76	832	14.37	365	7.56	192	11.81	*300	1320.5	599
10*8	250*200	7.64	194	9.49	241	39.02	991	16.65	423	9.37	238	15.75	*400	2636.7	1196
12*10	300*250	9.49	241	11.38	289	44.49	1130	22.05	560	10.79	274	19.69	*500	2954.1	1340
14*12	350*300	11.38	289	12.52	318	49.49	1257	23.94	608	12.52	318	23.62	*600	6424.2	2914
16*14	400*350	12.52	318	14.25	362	54.49	1384	26.06	662	19.09	485	23.62	*600	5445.3	2470
18*16	450*400	14.25	362	15.98	406	60.51	1537	31.34	796	21.02	534	23.62	*600	6503.5	2950
20*18	500*450	16.02	407	17.76	451	65.51	1664	33.43	849	23.86	606	23.62	*600	7385.4	3350
22*18	550*450	16.02	407	19.49	495	71.5	1816	33.43	849	11.93	303	23.62	*600	7936.5	3600
24*20	600*500	17.99	457	20.98	533	80.43	2043	37.95	964	27.01	686	31.50	*800	12896.8	5850

2500 LB DIMENSIONS

Full Port													
Size		D		L		H1		H2		W		Weight	
in	mm	in	mm	in	mm	in	mm	in	mm	in	mm	lb	kg
2	50	1.73	44	17.76	451	9.41	239	5.63	143	15.75	*400	198.4	90
3	80	2.52	64	22.76	578	10.43	265	7.52	191	19.69	*500	440.9	200
4	100	3.50	89	26.50	673	11.10	282	7.83	199	19.69	*500	848.8	385
6	150	5.24	133	35.98	914	20.59	523	11.77	299	23.62	*600	1715.2	778
8	200	7.13	181	40.24	1022	24.21	615	14.88	378	27.56	*700	2980.6	1352
10	250	8.86	225	50.00	1270	23.03	585	17.13	435	29.92	*760	4711.2	2137
12	300	10.51	267	55.98	1422	27.72	704	21.26	540	29.92	*760	7202.4	3267

* Gear Operator

Product Quality Policy

Quality Policy

Management focus

Ensuring the product quality

New product development

Perfecting the service

Continual improvement

Meeting the customer's requirements

Quality Objective

1. Establishing the quality system according to international recognized standards. Perfecting the quality system. Guaranteeing the quality. Improving the management.
2. Adhering primary importance to quality. The rate of qualified finished product is over 98%.
3. Aspiring adopt advanced scientific technology. Expanding the market share.
4. The customer satisfaction rate is over 98%.

YDF VALVE (SHANGHAI) CO., LTD

Head Office Add: Room19-A2, V-capital, No. 333
Xianxia Road, Changning District, Shanghai, China, 200336
Tel: +86-21-60837322
Fax: +86-21-60837329
E-mail: sales@ydfvalve.com

